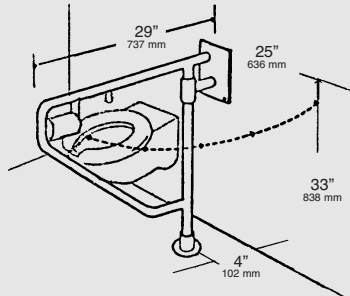




# Specialized Grab Bars/ Towel Bars

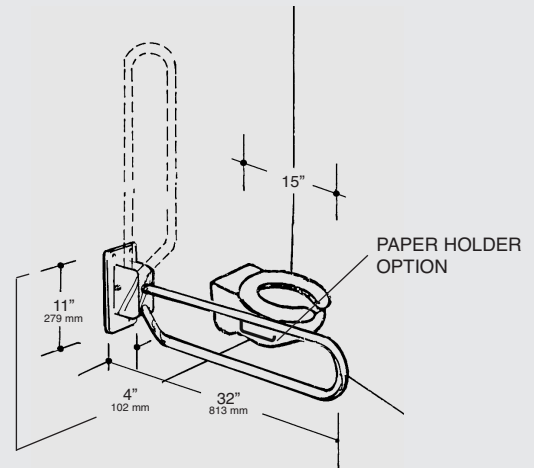
**CBH 38**

29" 737mm SWING CLEAR  
GRAB BAR



**CBH 55**

32" 813mm LIFT UP BAR



## Stainless Steel Grab Bars

Available in 1" - 1 1/4" - 1 1/2" O.D. Tubing, .050 Gauge, Type 304 Stainless Steel.

### CONCEALED MOUNTED FLANGE

3" (76mm) Diameter, 1/2" (13mm) Projection, .125 Gauge, Type 304 Stainless Steel.

### EXPOSED MOUNTED FLANGE

For 1" and 1 1/4" Tubing, 3/8" (80mm) Diameter, 3/8" (10mm) Projection, .125 Gauge, Type 304 Stainless Steel.

For 1 1/2" Tubing, 3" (76mm) Diameter, 3/16" (5mm) Projection, .187 Gauge, Type 304 Stainless Steel.

All Stainless Steel Bars and Flanges are Heliarc-Welded for Maximum Strength.

**NOTE: All "CBH" Bars meet or exceed the Load Resistance and Standoff as required by the National Building Code. Consult local building code for required mounting heights and locations.**

## How to Order

### Exposed Mounting - Code E

Satin Stainless Steel (C32D)  
1" O.D. Series - 4E  
1 1/4" O.D. Series - 5E  
1 1/2" O.D. Series - 6E

### Concealed Mounting - Code C

Satin Stainless Steel (C32D)  
1" O.D. Series - 4C  
1 1/4" O.D. Series - 5C  
1 1/2" O.D. Series - 6C

### Knurling - Code K

## Example

"If you require a:"

- 18" Straight Bar
- 1 1/4" Diameter
- Satin Stainless Steel (C 32D)
- Exposed Flange

"Specify as follows:"

Grab Bar Design \_\_\_\_\_

Diameter, (Stainless Steel 4-5-6-  
(Exposed (E) Concealed (C)  
(Knurling)

**CBH 11**  
5  
E  
K

Example: **CBH 11-5E K**

TO SPECIFY KNURLING USE SUFFIX "K"