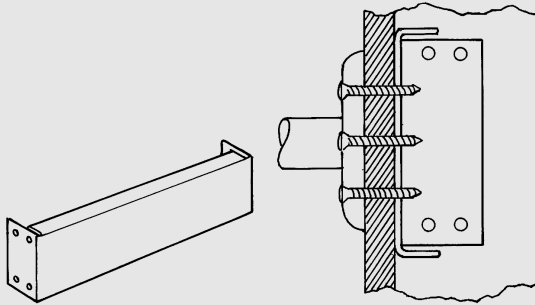


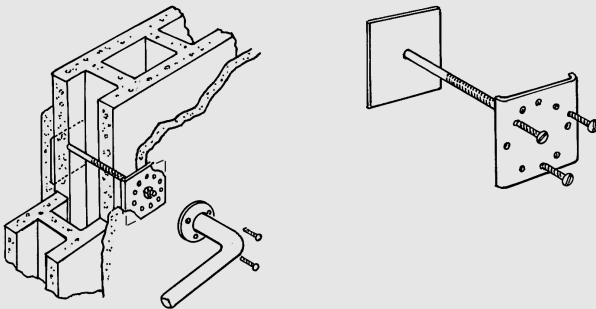
Special Grab Bar Mountings

TYPE 1 FOR METAL STUD WALLS



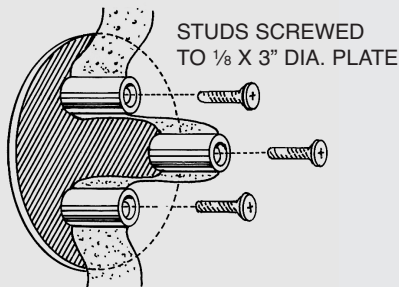
STEEL FORMED CHANNEL FOR PLASTERED, METAL STUD WALLS. ONE CHANNEL REQUIRED PER FLANGE. SIZE 2"X4"X16" .050 GAUGE.

TYPE 2 FOR BLOCK WALLS



FOR PLASTERED OR TILED BRICK, CONCRETE OR BLOCK WALLS. ONE ANCHOR REQUIRED PER FLANGE. SIZE 3"X3"X1/8" STEEL PLATE. 3/8" BOLT FOR WALL 8" THICK.

TYPE 3 FOR EXPOSED FLANGE

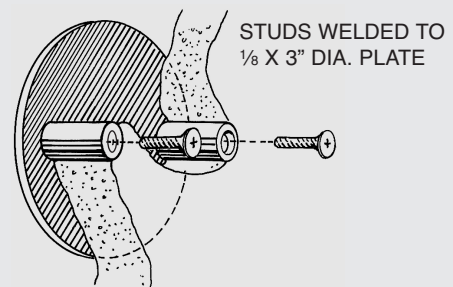


STUDS SCREWED TO 1/8 X 3" DIA. PLATE

FOR INSTALLATION OF GRAB BARS THROUGH 1" THICK TOILET PARTITIONS. ONE ANCHOR REQUIRED PER FLANGE.

MATERIAL: STAINLESS STEEL
FINISH: C32D

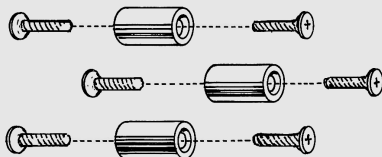
TYPE 4 FOR CONCEALED FLANGE



STUDS WELDED TO 1/8 X 3" DIA. PLATE

MATERIAL: STAINLESS STEEL
FINISH: C32D

TYPE 5 FOR BACK TO BACK MOUNTING ON TOILET PARTITIONS



FOR INSTALLATION OF BACK TO BACK GRAB BARS THROUGH 1" THICK TOILET PARTITION. ONE SET REQUIRED FOR EACH PAIR OF FLANGES.

MATERIAL: BRASS STUDS WITH STAINLESS STEEL SCREWS