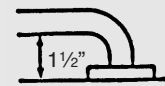


Grab Bars

Grab Bar Features & Options

- BRUSHED FINISH STANDARD ON STAINLESS STEEL (C32D)
- KNURLED GRIP OPTIONAL ON GRAB BARS
- CUSTOM BARS MANUFACTURED UPON REQUEST
- ALL EXPOSED FASTENING SCREWS ARE PHILLIPS #14 X 2" OVAL HEAD STAINLESS STEEL
- STANDOFF 1 1/2" STANDARD OTHER STANDOFFS AVAILABLE UPON REQUEST

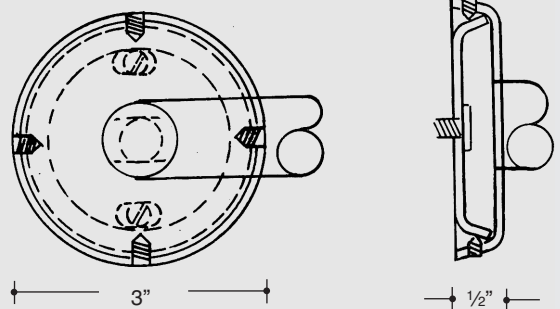


CONCEALED FLANGE 3" O.D. COMPLETE WITH STAINLESS STEEL INSERT

FOR 1", 1 1/4" AND 1 1/2" DIA. GRAB BARS

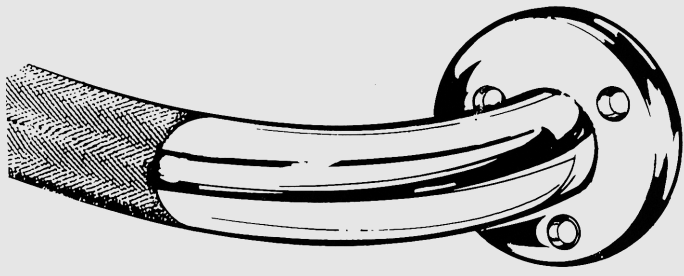


CONCEALED FLANGE 1", 1 1/4", 1 1/2" DIAMETER GRAB BARS

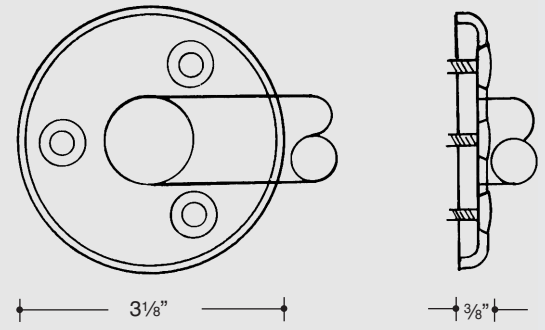


EXPOSED FLANGE 3 1/8" O.D.

FOR 1" AND 1 1/4" DIA. GRAB BARS

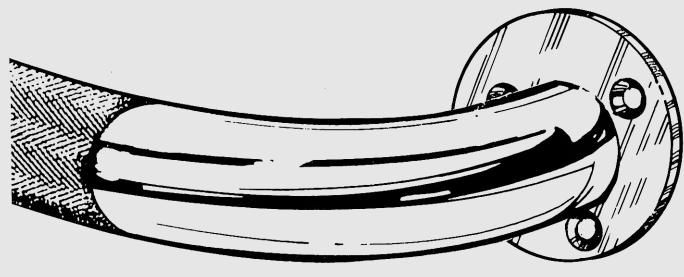


EXPOSED FLANGE 1" AND 1 1/4" DIAMETER GRAB BARS



EXPOSED FLANGE 3" O.D. x 3/16" THICK FLAT

FOR 1 1/2" DIA. GRAB BARS ONLY



EXPOSED FLANGE 1 1/2" DIAMETER GRAB BARS

