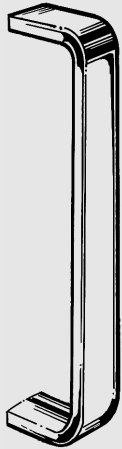


Door Pulls

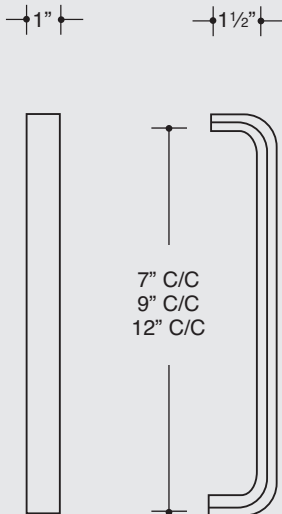
CBH 9018
CBH 9023
CBH 9030

7" PULL
9" PULL
12" PULL

OTHER SIZES AVAILABLE UPON REQUEST



MOUNTING: 1 OR 3.
#1 MTG 1/4-20 NC
#3 MTG 5/16-18 NC



MATERIAL:

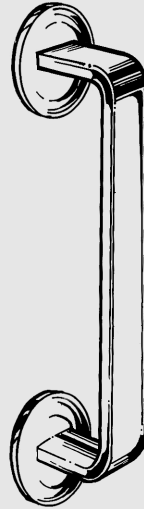
BRASS, BRONZE, ALUMINUM AND STAINLESS STEEL.

FINISHES: ALL STANDARD

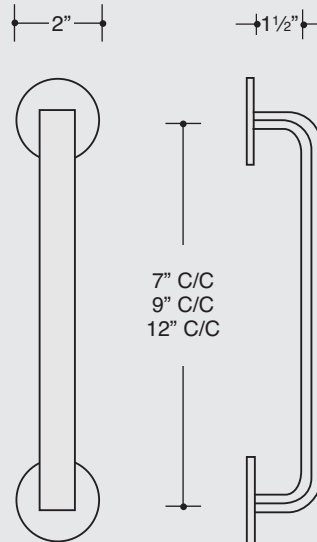
CBH 9118
CBH 9123
CBH 9130

7" PULL
9" PULL
12" PULL

WITH ROUND ROSETTES 1/8" x 2" DIA.



MOUNTING: 1, 3 OR 4.
#1 MTG 1/4-20 NC
#3 MTG 5/16-18 NC
#4 MTG #8 x 1" W.S. STANDARD



MATERIAL:

BRASS, BRONZE, ALUMINUM AND STAINLESS STEEL.

FINISHES: ALL STANDARD

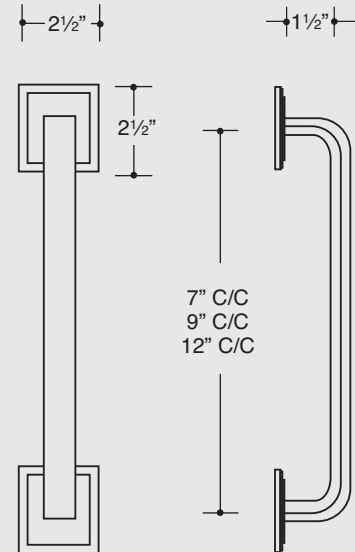
CBH 9218
CBH 9223
CBH 9230

7" PULL
9" PULL
12" PULL

WITH SQUARE BACKPLATES 3/16"



MOUNTING: 1, 3 OR 4.
#1 MTG 1/4-20 NC
#3 MTG 5/16-18 NC
#4 MTG #8 x 1" W.S. STANDARD



MATERIAL:

BRASS, BRONZE, ALUMINUM AND STAINLESS STEEL.

FINISHES: ALL STANDARD



Door Pulls

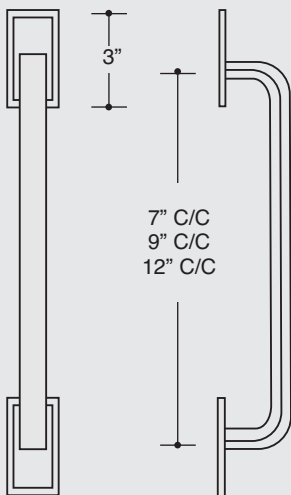
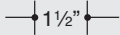
CBH 9318
CBH 9323
CBH 9330

7" PULL
9" PULL
12" PULL

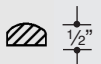
WITH RECTANGULAR BACKPLATES 3/16"



MOUNTING: 1, 3 OR 4.
#1 MTG 1/4-20 NC
#3 MTG 5/16-18 NC
#4 MTG #8 x 1" W.S. STANDARD



MATERIAL:



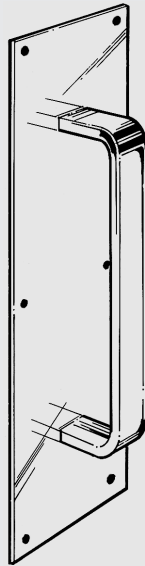
BRASS, BRONZE, ALUMINUM AND STAINLESS STEEL.

FINISHES: ALL STANDARD

CBH 9418
CBH 9423
CBH 9430

7" PULL 3" x 12" PLATE
9" PULL 3 1/2" x 15" PLATE
12" PULL 4" x 16" PLATE

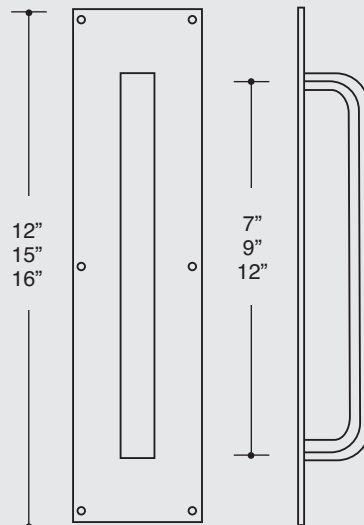
WITH BACKPLATE



.050 GAUGE PLATES WILL BE SUPPLIED STANDARD, FOR THICKER PLATES USE SUFFIX
B 1/8 .125
C 3/16 .187
D 1/4 .250

EXAMPLE:
CBH 9418 = 9018 x 3" x 12" x .050

MOUNTING: 1, 3 OR 4.
#1 MTG 1/4-20 NC
#3 MTG 5/16-18 NC
#4 MTG #8 x 1" W.S. STANDARD



MATERIAL:



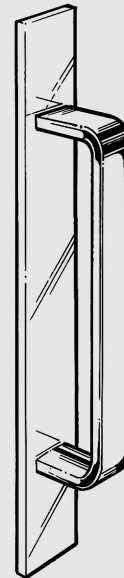
BRASS, BRONZE, ALUMINUM AND STAINLESS STEEL.

FINISHES: ALL STANDARD

CBH 9518
CBH 9523
CBH 9530

7" PULL 1 1/2" x 10 1/2" PLATE
9" PULL 1 1/2" x 12 1/2" PLATE
12" PULL 1 1/2" x 15 1/2" PLATE

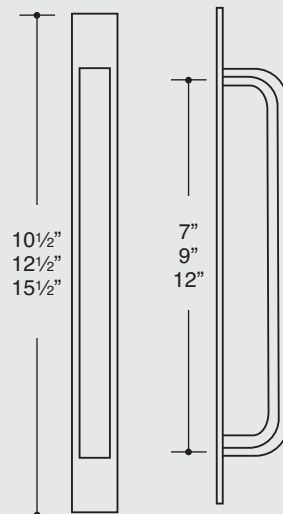
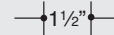
WITH NARROW BACKPLATES



.050 GAUGE PLATES WILL BE SUPPLIED STANDARD, FOR THICKER PLATES USE SUFFIX
B 1/8 .125
C 3/16 .187
D 1/4 .250

EXAMPLE:
CBH 9523B = 9023 1 1/2" x 12 1/2" x .125

MOUNTING: 1 OR 3
#1 MTG 1/4-20 NC
#3 MTG 5/16-18 NC



MATERIAL:



BRASS, BRONZE, ALUMINUM AND STAINLESS STEEL.

FINISHES: ALL STANDARD