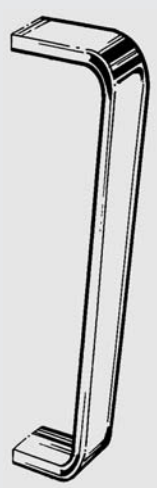


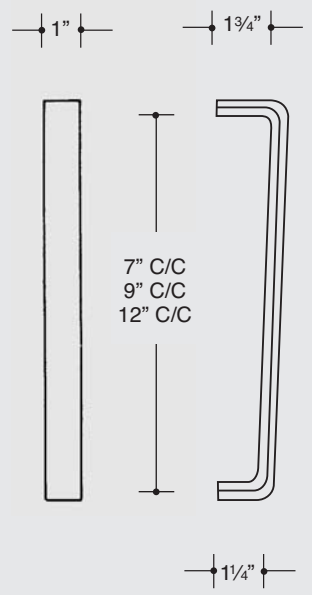
Door Pulls Offset

CBH 8018
CBH 8023
CBH 8030

7" PULL
9" PULL
12" PULL



MOUNTING: 1 OR 3.
#1 MTG 1/4-20 NC
#3 MTG 5/16-18 NC



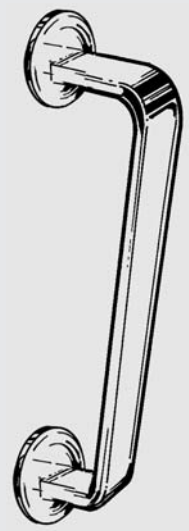
MATERIAL:
 BRASS, BRONZE, ALUMINUM AND STAINLESS STEEL.

FINISHES: ALL STANDARD

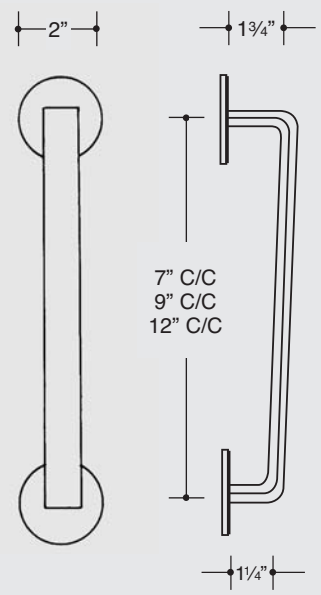
CBH 8118
CBH 8123
CBH 8130

7" PULL
9" PULL
12" PULL

WITH ROUND ROSETTES 1/8" x 2" DIA.



MOUNTING: 1, 3 OR 4.
#1 MTG 1/4-20 NC
#3 MTG 5/16-18 NC
#4 MTG #8 x 1" W.S. STANDARD



MATERIAL:
 BRASS, BRONZE, ALUMINUM AND STAINLESS STEEL.

FINISHES: ALL STANDARD

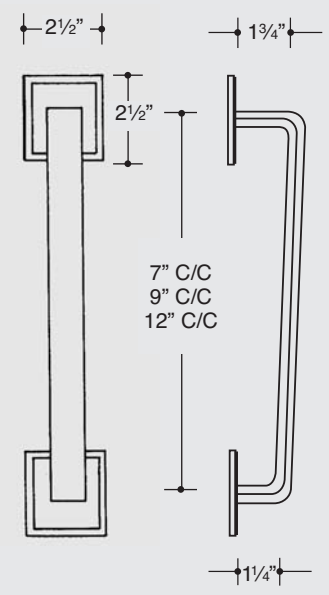
CBH 8218
CBH 8223
CBH 8230

7" PULL
9" PULL
12" PULL

WITH SQUARE BACKPLATES 3/16"



MOUNTING: 1, 3 OR 4.
#1 MTG 1/4-20 NC
#3 MTG 5/16-18 NC
#4 MTG #8 x 1" W.S. STANDARD



MATERIAL:
 BRASS, BRONZE, ALUMINUM AND STAINLESS STEEL.

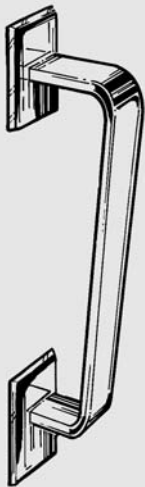
FINISHES: ALL STANDARD



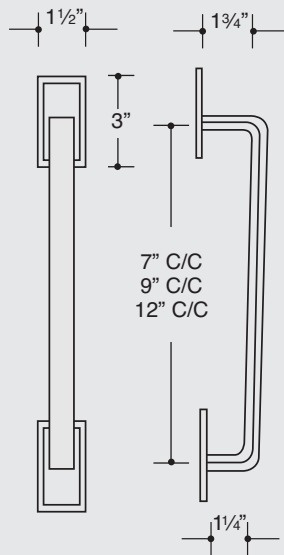
Door Pulls Offset

CBH 8318 7" PULL
CBH 8323 9" PULL
CBH 8330 12" PULL

WITH RECTANGULAR BACKPLATES 3/16"



MOUNTING: 1, 3 OR 4.
 #1 MTG 1/4-20 NC
 #3 MTG 5/16-18 NC
 #4 MTG #8 x 1" W.S. STANDARD



MATERIAL:
 BRASS, BRONZE, ALUMINUM AND STAINLESS STEEL.

FINISHES: ALL STANDARD

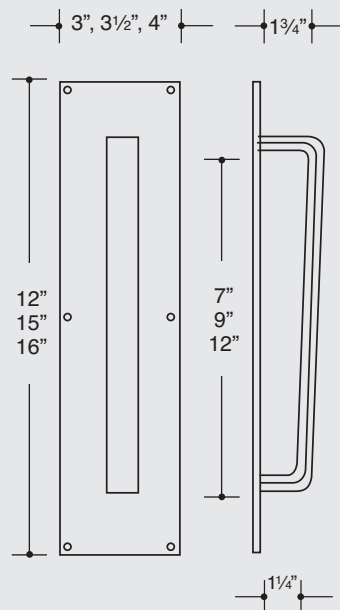
CBH 8418 7" PULL 3" x 12" PLATE
CBH 8423 9" PULL 3 1/2" x 15" PLATE
CBH 8430 12" PULL 4" x 16" PLATE

WITH BACKPLATE



.050 GAUGE PLATES WILL BE SUPPLIED STANDARD, FOR THICKER PLATES USE SUFFIX
B 1/8 .125
C 3/16 .187
D 1/4 .250

MOUNTING: 1, 3 OR 4.
 #1 MTG 1/4-20 NC
 #3 MTG 5/16-18 NC
 #4 MTG #8 x 1" W.S. STANDARD



MATERIAL:
 BRASS, BRONZE, ALUMINUM AND STAINLESS STEEL.

FINISHES: ALL STANDARD

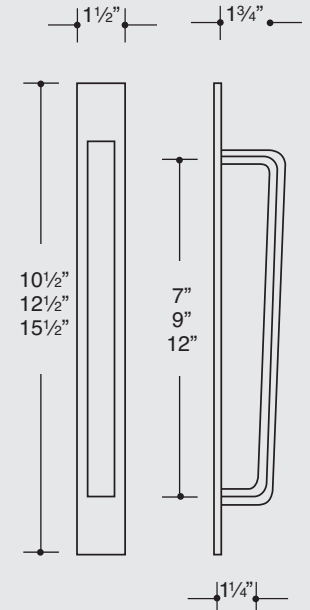
CBH 8518 7" PULL 1 1/2" x 10 1/2" PLATE
CBH 8523 9" PULL 1 1/2" x 12 1/2" PLATE
CBH 8530 12" PULL 1 1/2" x 15 1/2" PLATE

WITH NARROW BACKPLATES



.050 GAUGE PLATES WILL BE SUPPLIED STANDARD, FOR THICKER PLATES USE SUFFIX
B 1/8 .125
C 3/16 .187
D 1/4 .250

MOUNTING: 1 OR 3.
 #1 MTG 1/4-20 NC
 #3 MTG 5/16-18 NC



MATERIAL:
 BRASS, BRONZE, ALUMINUM AND STAINLESS STEEL.

FINISHES: ALL STANDARD