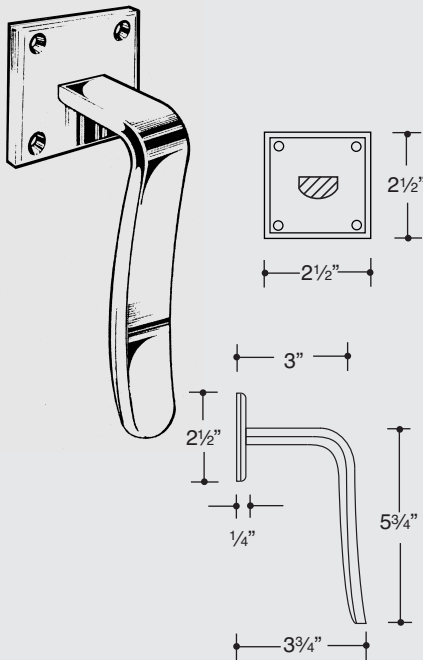




# Hospital Pulls

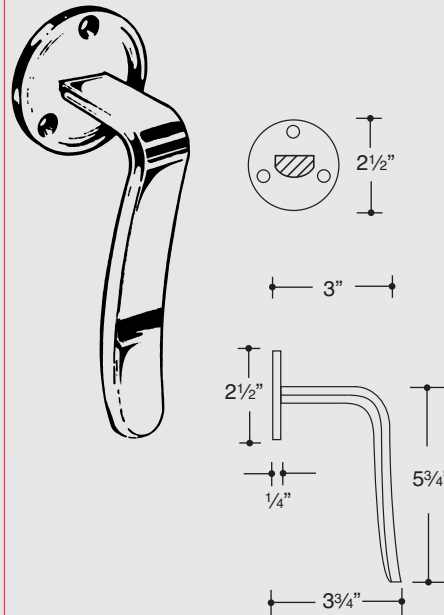
## CBH 355 HOSPITAL PULL

**MATERIAL:** BRASS, BRONZE, ALUMINUM AND STAINLESS STEEL  
**FINISHES:** ALL STANDARD



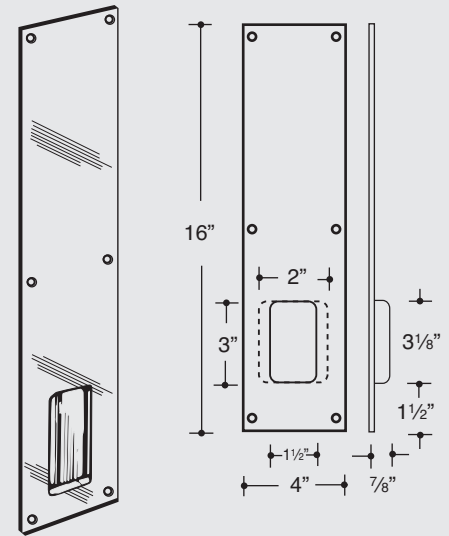
## CBH 360 HOSPITAL PULL

**MATERIAL:** BRASS, BRONZE, ALUMINUM AND STAINLESS STEEL  
**FINISHES:** ALL STANDARD



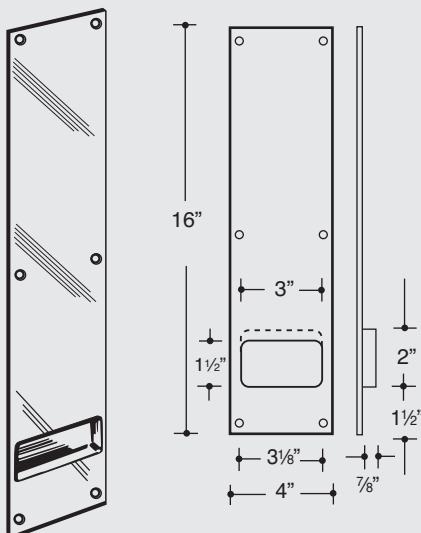
## CBH 365 HOSPITAL PULL

**MATERIAL:** BRASS, BRONZE, AND STAINLESS STEEL (.125)  
**FINISHES:** ALL STANDARD



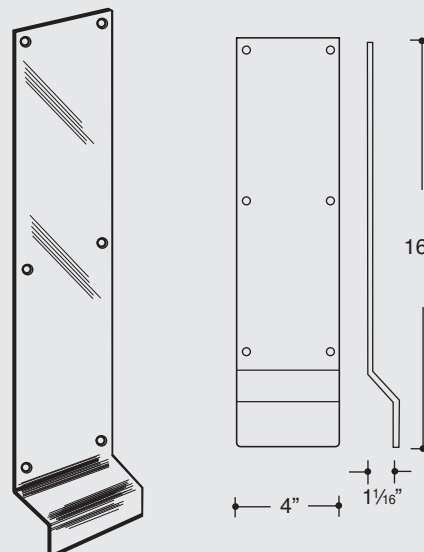
## CBH 370 HOSPITAL PULL

**MATERIAL:** BRASS, BRONZE, AND STAINLESS STEEL (.125)  
**FINISHES:** ALL STANDARD



## CBH 375 4 X 16 HOSPITAL PUSH/PULL

**MATERIAL:** BRASS, BRONZE, ALUMINUM AND STAINLESS STEEL (.125)  
**FINISHES:** ALL STANDARD



## CBH 380 4 X 20 HOSPITAL PUSH/PULL

**MATERIAL:** BRASS, BRONZE, ALUMINUM AND STAINLESS STEEL (.125)  
**FINISHES:** ALL STANDARD

